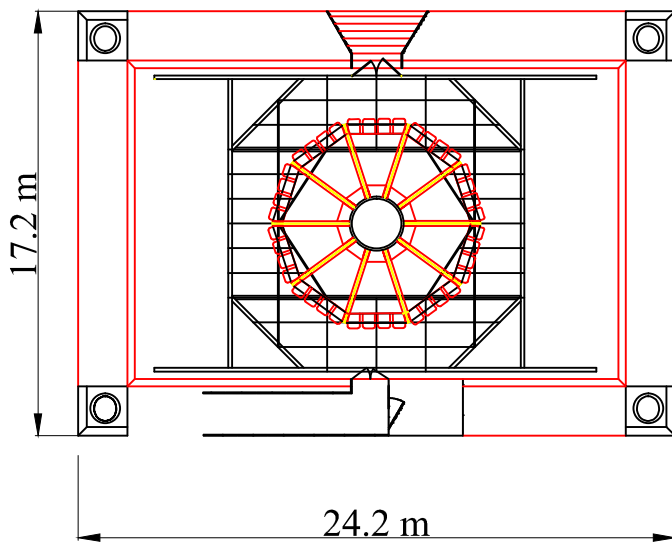
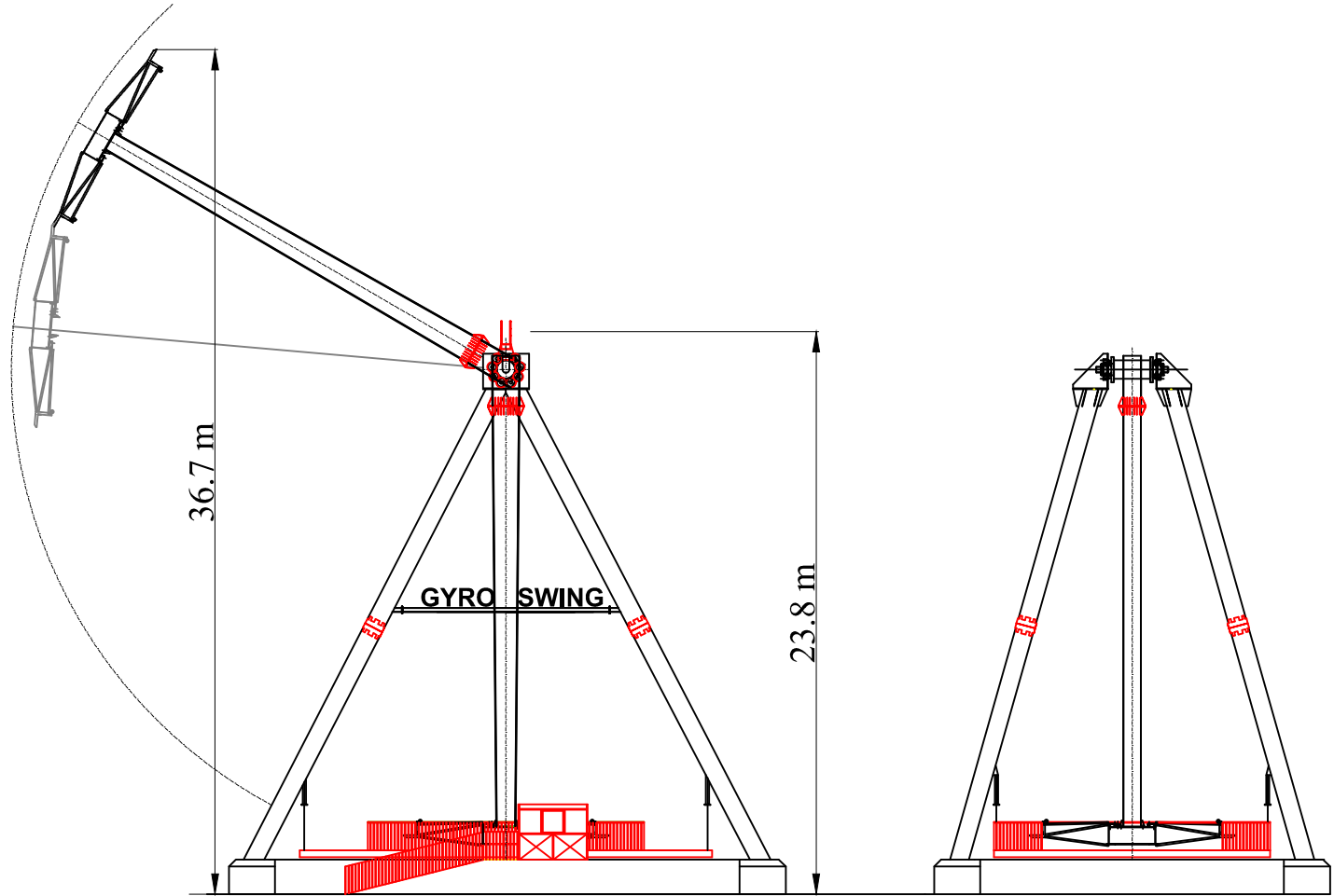


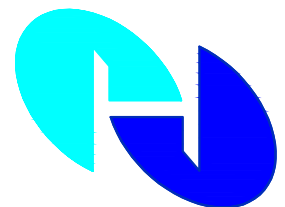
Technical Specification

Gyro Swing 40



Technical Data

Seats	40
Capacity(pph)	640 pers/hr
Minimum Passenger Height (cm)	120 cm
Power	3Ph/380V/50Hz/250KVA



HESAM NIRO TOOS